

# Stapler

*Approach:* Station

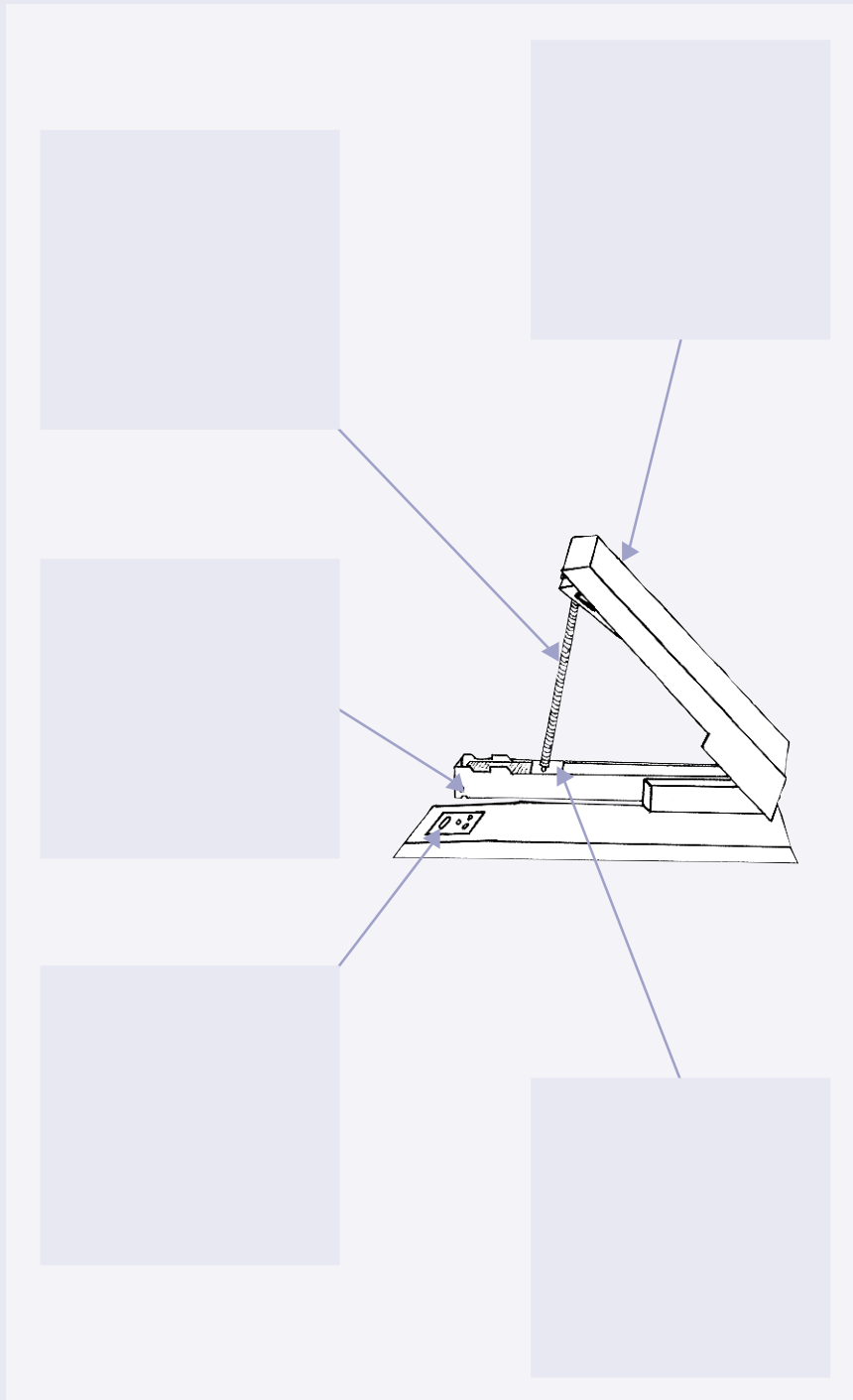
*Level:* Year 4 only

*Resources:* Stapler — opened to show mechanism, response sheet.

*Questions/instructions*

Look at this stapler and see how it works. You can open it up and you can make it work.  
 The arrows on this answer sheet point to parts of the stapler.  
 In each box, write down how that part helps the stapler work.

Adequacy of explanation of function of:



		<i>% responses</i> <b>year 4</b>
<b>top arm</b>		
strong		22
moderate		28
weak		50
<b>spring</b>		
strong		10
moderate		17
weak		73
<b>staple outlet</b>		
strong		44
moderate		11
weak		45
<b>stapler plate</b>		
strong		21
moderate		9
weak		70
<b>staple pusher</b>		
strong		17
moderate		37
weak		46
<b>Overall rating</b>		
very high		1
quite high		9
moderate		39
low		51